



Control the Elements



# CellarPro Cooling Systems

## 1800 Series



Owner's Manual



## Control the Elements

### Overview

---

CellarPro 1800 Series cooling units are designed for wine cabinets and small cellars up to 400 cubic feet, as follows:

- **CellarPro 1800QTL** - designed for small wine cabinets
- **CellarPro 1800QT** – designed for wine cabinets in residential settings and small wine cellars (up to 200 cu ft with R-19 insulation)
- **CellarPro 1800XT** – designed for wine cabinets in commercial settings and small wine cellars (up to 300 cu ft with R-19 insulation)
- **CellarPro 1800XTS** – designed for small wine cellars (up to 400 cu ft with R-19 insulation)
- **CellarPro 1800XTSx** – same as 1800XTS / designed for installations through exterior walls / includes power cord and wine cellar modifications
- **CellarPro 1800XT-220V** – designed for overseas markets using 220V and 50-60 Hz cycles

### Key Features

---

- Choice of cooling capacities and noise levels to match desired output
- Designed to handle in extreme temperature conditions (up to 95°F)
- High-performance compressor and high-output fans
- Oversized Electrofin-coated evaporator coils
- Interchangeable top-vent or rear-vent exhaust
- Advanced LED display
- Electronic temperature control
- Adjustable humidity control
- Duct kit option for condenser air intake / exhaust – up to 50' per duct
- Removable air filter option for condenser air intake
- Powdercoated drain pan and hot gas loop for excess condensate
- Energy-Saver and Quick-Chill modes
- Multiple audible and visual alarms
- Compatible with a dedicated 15-Amp circuit
- ETL tested and certified to UL Standards (115V models)
- Made in the USA



## Control the Elements

### Specifications

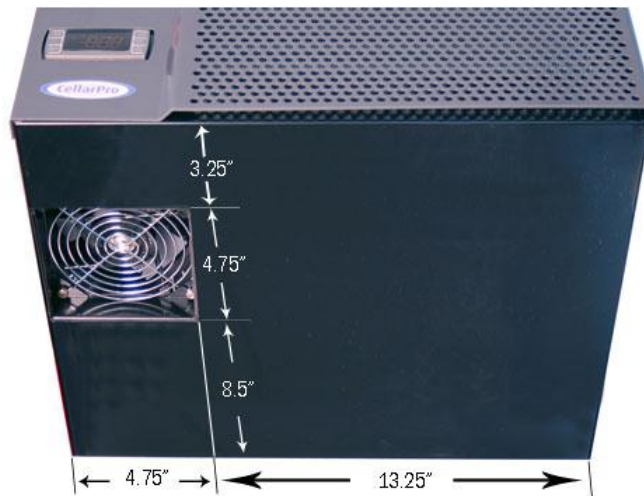
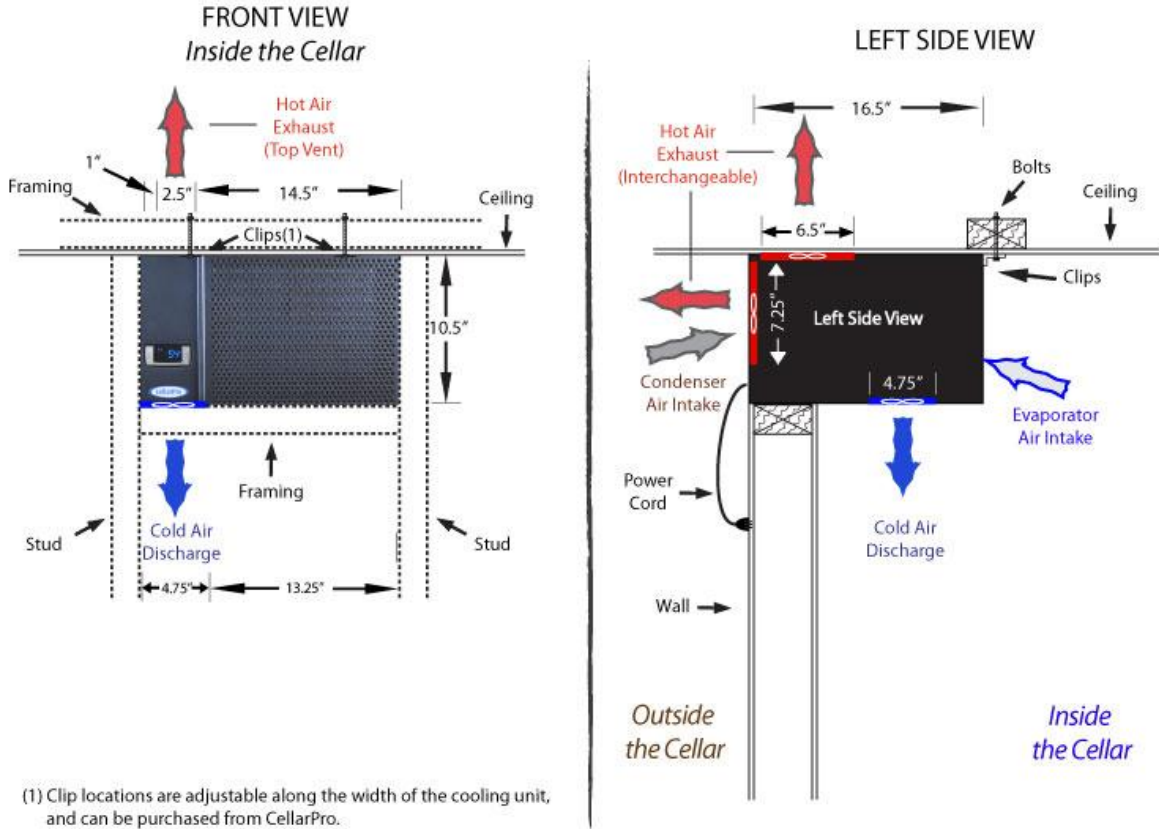
Model	1800QTL	1800QT	1800XT	1800XTS / XTSx	1800XT-220V
BTUH @55°F	1065	1380	1456	1886	1446 (60Hz)
Intended Use	Small Wine Cabinets Cellars up to 80 Cu Ft. (R-19)	Cabinets for residential use Cellars up to 200 Cu Ft (R-19)	Cabinets for commercial use Cellars up to 300 Cu Ft (R-19)	Cabinets in hot environments Cellars up to 400 Cu Ft (R-19) Mounted through an exterior wall (XTSx)	Cabinets for resi/comm'l use Cellars up to 8.5 M <sup>3</sup> (R-19)
Decibels	42	45	47	48	50Hz – 46 60Hz – 50
Dimensions W x D x H (in)	18 x 16.5 x 10.5	18 x 16.5 x 10.5	18 x 16.5 x 10.5	XTS: 18 x 16.5 x 10.5 XTSx: 18.1 x 22 x 10.6	18 x 16.5 x 10.5
Hot Intake/Exhaust Ducting	100 Equivalent Feet per duct with CP Duct Kit	100 Equivalent Feet per duct with CP Duct Kit	100 Equivalent Feet per duct with CP Duct Kit	100 Equivalent Feet per duct with CP Duct Kit	100 Equivalent Feet per duct with CP Duct Kit
Weight	54 lbs	54 lbs	54 lbs	XTS: 60 lbs XTSx: 65 lbs	57 lbs
Ship Dims W x D x H (in)	21 x 20 x 14	21 x 20 x 14	21 x 20 x 14	21 x 20 x 14 21 x 20 x 14	21 x 20 x 14
Ship Weight	60 lbs	60 lbs	60 lbs	66 lbs 15 lbs	63 lbs
Power / Rating	115V AC/60 Hz 210 Watts 3 Amps (compressor) Up to 3 amps (light receptacle)	115V AC/60 Hz 270 Watts 3 Amps (compressor) Up to 3 amps (light receptacle)	115V AC/60 Hz 280 Watts 3 Amps (compressor) Up to 3 amps (light receptacle)	115V AC/60 Hz 340 Watts 3.6 Amps (compressor) Up to 3 amps (light receptacle)	200 - 254V AC 50 - 60 Hz 280 Watts 2 Amps (compressor)
Warranty	5-Years (Complete System)	5-Years (Complete System)	5-Years (Complete System)	XTS: 5-Years (Complete System) XTSx: 2-Years (Complete System) / 5-Years (Compressor)	2-Years (Complete System)



# Control the Elements

## Installation Diagram

### INSTALLATION INSTRUCTIONS - MOUNTING CLIPS



**Bottom View**

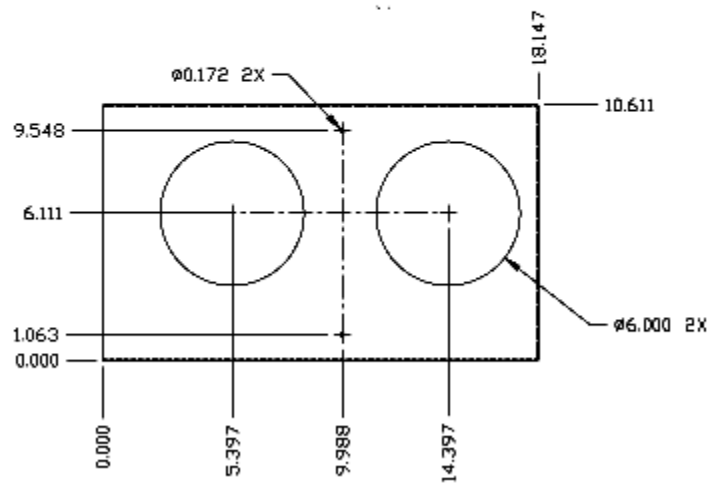
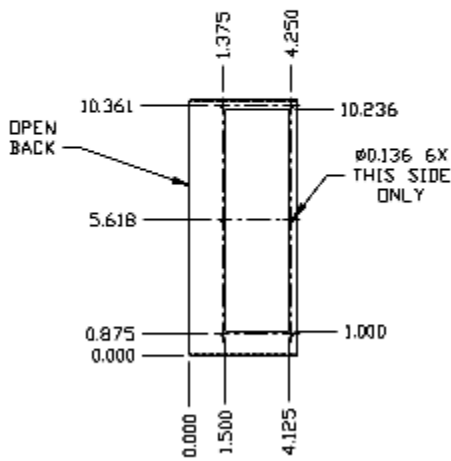


Control the Elements

### Commercial Grade Optional Air Filter



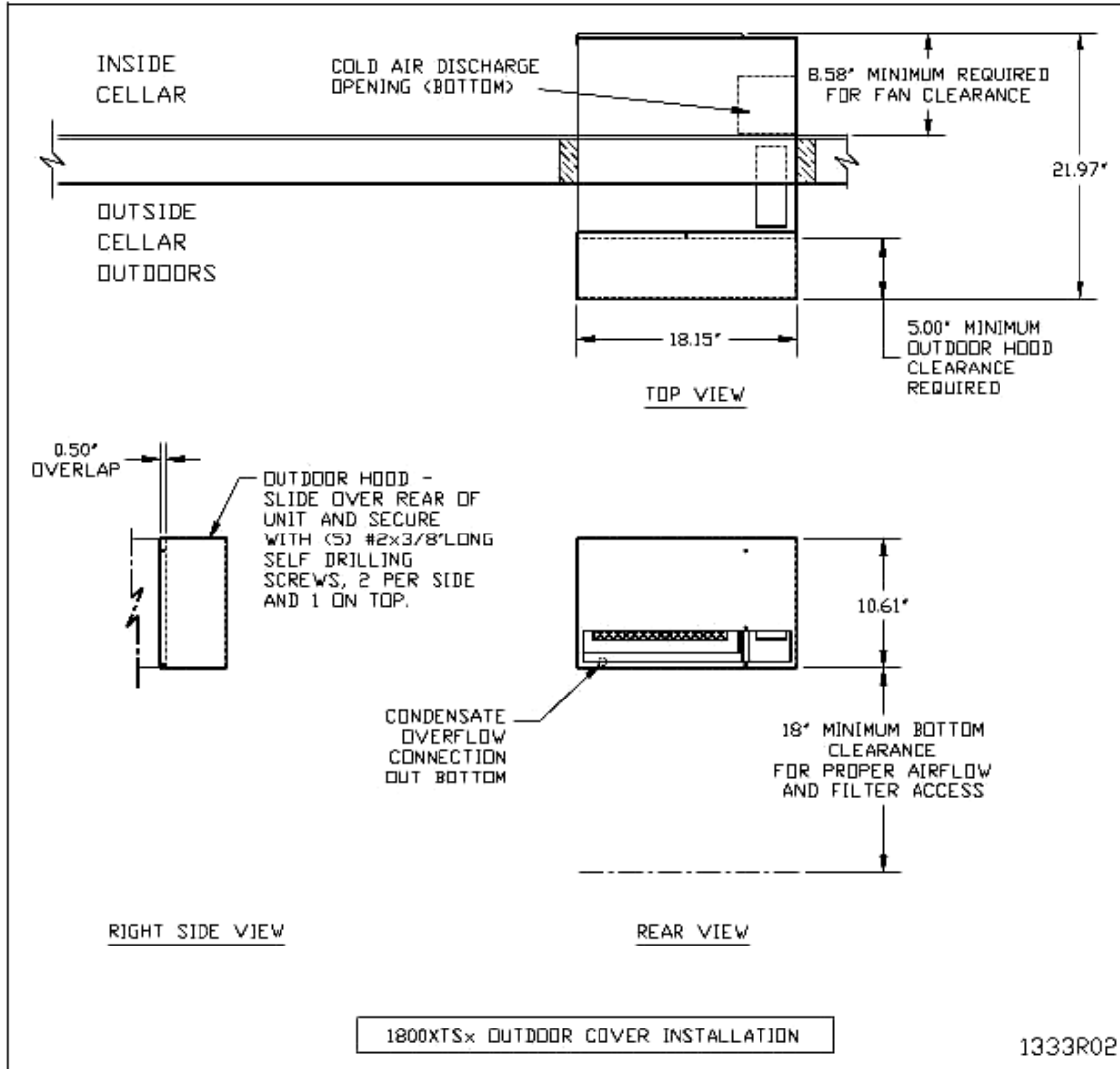
### CellarPro 1800 Rear Duct Hood





Control the Elements

### 1800XTSx Exterior Hood







## Control the Elements

### Cooling Capacity Chart

Estimated thermal loads for various size cellars, with various insulations, various ambient temperatures and various cellar temperatures, are shown in the table below. To figure out whether a CellarPro unit will work in your space, make sure that the cooling unit's BTUH for a given cellar temperature is equal or greater than the thermal load shown. The non-bold numbers are within the capacity of all units. The bold numbers are beyond the capacity of the 1800QT. The italicized numbers are beyond the capacity of the 1800QT and 1800XT. "X" indicates conditions beyond the capacity of all 1800 units.

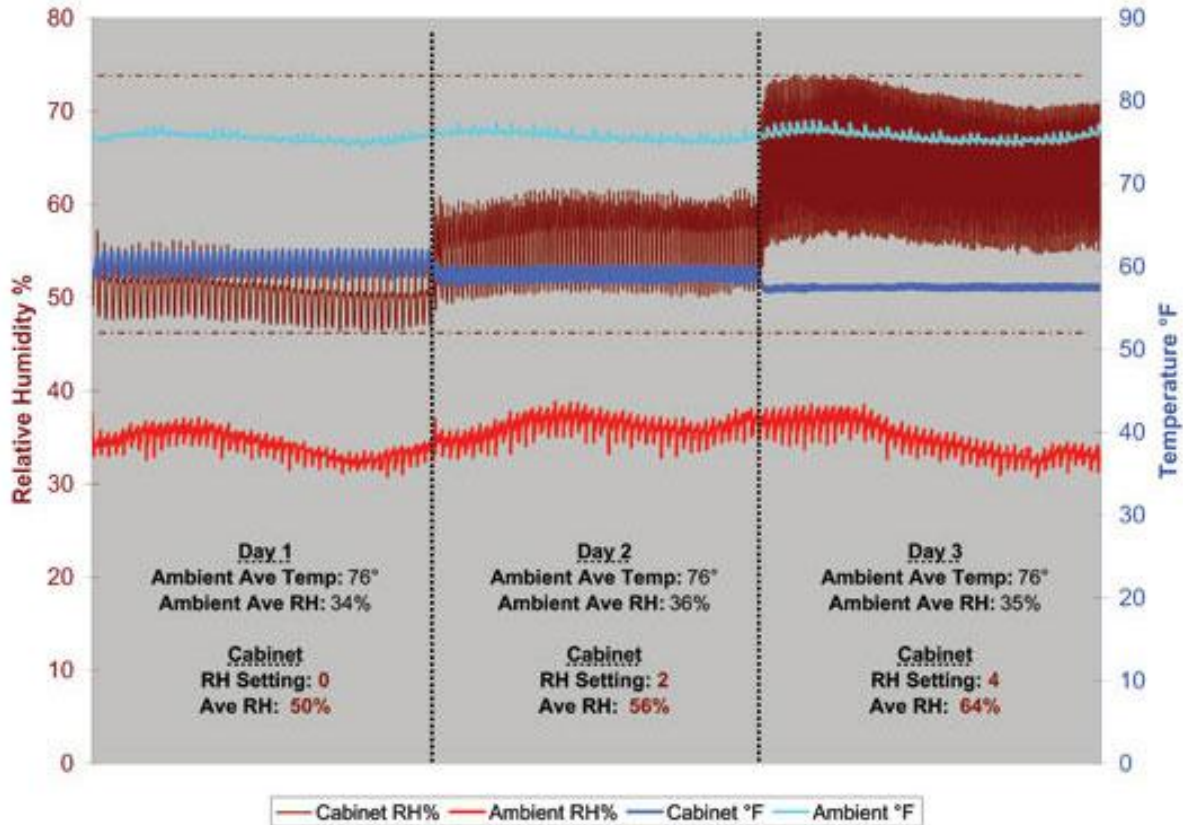
Cellar Temp		55 Degrees		60 Degrees	
BTUH	1800QT	1380		1479	
BTUH	1800XT	1456		1558	
<i>BTUH</i>	<i>1800XTS / 1800XTSx</i>	<i>1886</i>		<i>2031</i>	
Cellar Insulation – Walls, ceiling & floor*:		R-12	R-19	R-12	R-19
Cellar Size	Ambient Temp				
100 Cu Ft.	75 Degrees	1068	979	940	862
	85 Degrees	1180	1046	1038	920
	95 Degrees	1291	1114	1136	980
200 Cu Ft.	75 Degrees	1380	1253	1214	1103
	85 Degrees	<b>1538</b>	1349	1353	1187
	95 Degrees	<b>1699</b>	<b>1446</b>	<b>1495</b>	1272
300 Cu Ft.	75 Degrees	<b>1700</b>	<b>1542</b>	<b>1496</b>	1357
	85 Degrees	X	<b>1562</b>	<b>1672</b>	1463
	95 Degrees	X	<b>1909</b>	<b>2003</b>	<b>1558</b>
400 Cu Ft.	75 Degrees	X	<b>1744</b>	<b>1690</b>	<b>1535</b>
	85 Degrees	X	<b>1879</b>	<b>1888</b>	<b>1654</b>
	95 Degrees	X	X	X	<b>1773</b>

**\*Please note:** Glass window(s), door(s) or walls(s) will reduce the overall insulation values and therefore increase the heat load in the cellar.



## Control the Elements

### Adjustable Humidity Performance



#### Summary:

CellarPro's cooling system was tested with the adjustable humidity setting at 0, 2 and 4 over the course of 72 hours. As illustrated above, the average relative humidity inside the wine cellar increased when we increased the adjustable day humidity setting. (Actual results may vary.)

#### Test Conditions:

- The cooling unit was tested in a Le Cache Model 2400 wine cabinet for 72 hours
- The wine cabinet was located in an enclosed, climate-controlled test room
- The wine cabinet was filled with 208 bottles (73% capacity)
- The temperature setting was 55°F / +4°F for the entire test period
- The temperature measurements were taken at the bottom of the wine cabinet
- On Day 1, CellarPro's humidity was set to "0"
- On Day 2, CellarPro's humidity was set to "2"
- On Day 3, CellarPro's humidity was set to "4"





## Control the Elements

### Option and Upgrades

---

- Wine Cellar Modification:** Recommended when the wine cooling unit will be installed in a wine cellar, the wine cellar modification includes extra waterproofing inside the case and a 1/2-inch ID condensate fitting and 8-foot clear vinyl tube to allow overflow condensation to exit from the rear of the cooling unit. **Can be retrofit.**
- Power Cord Modification:** CellarPro wine cooling units can be modified so that the 8-foot, 16-gauge grounded power cord exits from the left side of the cooling unit, just below the power outlet, instead of from the rear of the cooling unit. This modification is designed for cooling unit installations where the power outlet is located **INSIDE** the cellar.
- Remote Display/Control Unit:** This kit allows the control panel to be wired and mounted remotely from the cooling unit. The control panel connects to the cooling unit via low voltage wiring, and can be installed inside or outside the wine cellar. Perfect for cooling units that will be installed in remote or hard-to-reach locations.
- Mounting Brackets:** Two mounting clips can attach anywhere along the front of CellarPro cooling units and offer predrilled slots for bolting to the ceiling of the wine cellar. Framing is required in or above the ceiling. Compatible with Breezair WKC 1060/2200 and Wine-Mate 1500/2500 wine cooling units. **Can be retrofit.**
- Louvered Grill:** White louvered grill can be installed outside the cellar, painted and used to cover the rear of 1800 wine cooling units. **Can be retrofit.**
- Rear Duct Kit:** The duct kit allows the hot air to be ducted up to 100 equivalent feet (50 feet per duct.) For installations requiring the hot air exhaust and/or intake to be ducted, this duct kit includes one 120 CFM 6-inch inline fan, 50 feet (2x25 feet) of 6-inch insulated ducting (R-6), and a duct hood that slides over the rear of the cooling unit. The hood is designed with an easy-access door for use with our air filter. The cooling unit provides switched power for the fan to match the on/off cycle of the wine cooling unit. **Can be retrofit.**
- Crankcase Heater:** When the cooling unit is exposed to cold temperatures, the refrigerant in the compressor can migrate into the crankcase oil when the compressor is not running. On startup, this can cause excessive motor wear and a loss of refrigeration efficiency. Our self-regulating crankcase heater is wrapped around the compressor and provides reliable peak heating during critical cold periods, and reduces its heating once the compressor starts up or the air temperature rises.
- Air Filter:** We sell filter frame / filter kits, and replacement filter 2-packs, that fit over the condenser coils and eliminate the hassle of having to clean the coils. **Can be retrofit.**



## Control the Elements

### CellarPro 1800 Series Price Sheet

---

#### Cooling Units

1800QTL	\$995
1800QT	995
1800XT	995
1800XTS	1195
1800XTSx	1495
1800XT-220V	1195

#### Options and Upgrades

Wine Cellar Modification	\$100
Power Cord Modification	50
Remote Display/Control Unit	225
Mounting Brackets (pair)	10
Louvered Grill	35
Duct Kit	299
Cold-Temperature Crankcase Heater	99
Filter Frame & Filter Kit	25
Poly-Coated Fiberglass Air Filter (2-Pack)	15